

100M Unmanaged Ethernet Switch



UT-6408CA

100M 8-Port unmanaged Ethernet Switch



UOTEK TECHNOLOGY (SHENZHEN) CO., LTD.

Add: Room1001, Building 7, Skyworth Innovation Valley, No. 8, Tangtou No.1 Road, Shiyao Old Street, Bao'an District, Shenzhen

Tel: +86-755-81202008

Fax: +86-755-27886083

Http: www.uotek.com





- Adopt high quality opto-electric integration modules to provide good optical and electrical characteristics, ensure reliable data transmission and long lifecycle
- Supports full-duplex and half-duplex, auto negotiation
- Auto 10/100Mbps
- Fully automatic recognition of network interface
- Plug and play for easy access
- Operating temperature: -20 ~ 75°C
- Voltage input: 12/24/48VDC (10.8~52.8VDC), support reverse connection protection



OVERVIEW

The UT-6408CA is an 8-port 100M unmanaged Ethernet switch that provides DC input positive and negative protection to prevent burnout of the instrument. It has a compact design and supports industry standard DIN-rail mounting, it is easy to install in any industrial network application.

SPECIFICATION

Protocol Standards

IEEE 802.3 10Base-T, IEEE 802.3u 100Base-TX,

Interfaces

RJ45 interface: 8* 10/100Base-X, auto-detection, full/half duplex, auto MDI/MDI-X

LED indicator light

PWR power light, network indicator

Switching Performance

Forwarding rate: 148,810pps

Transmission mode: store and forward

MAC address size: 2K

Cache size: 768Kb

Backplane bandwidth: 1.6G

Power Requirement

Voltage input: 12/24/48VDC(10.8~52.8VDC)

Interface terminal: 1 pluggable 3-pin terminal block

Overload protection: Support

Reverse connection protection: Support

Mechanical Characteristics

IP protection level: IP40

Installation: DIN-Rail/Wall Mounted

Power consumption

100mA@24Vmax

Mechanical Dimension

Dimension (W x H x D): 100mm x 85mm x 40mm

Weight: 0.85Kg

Packaging dimension: 190mm x 182mm x 65mm

Operating Environment

Operating temperature: -20 ~ 75°C

Storage temperature: -40 ~ 85°C

Relative humidity: 0~95% (non-condensing)

Industrial Standards

EMI:

FCC Part 15 Subpart B class A, EN55022 class A

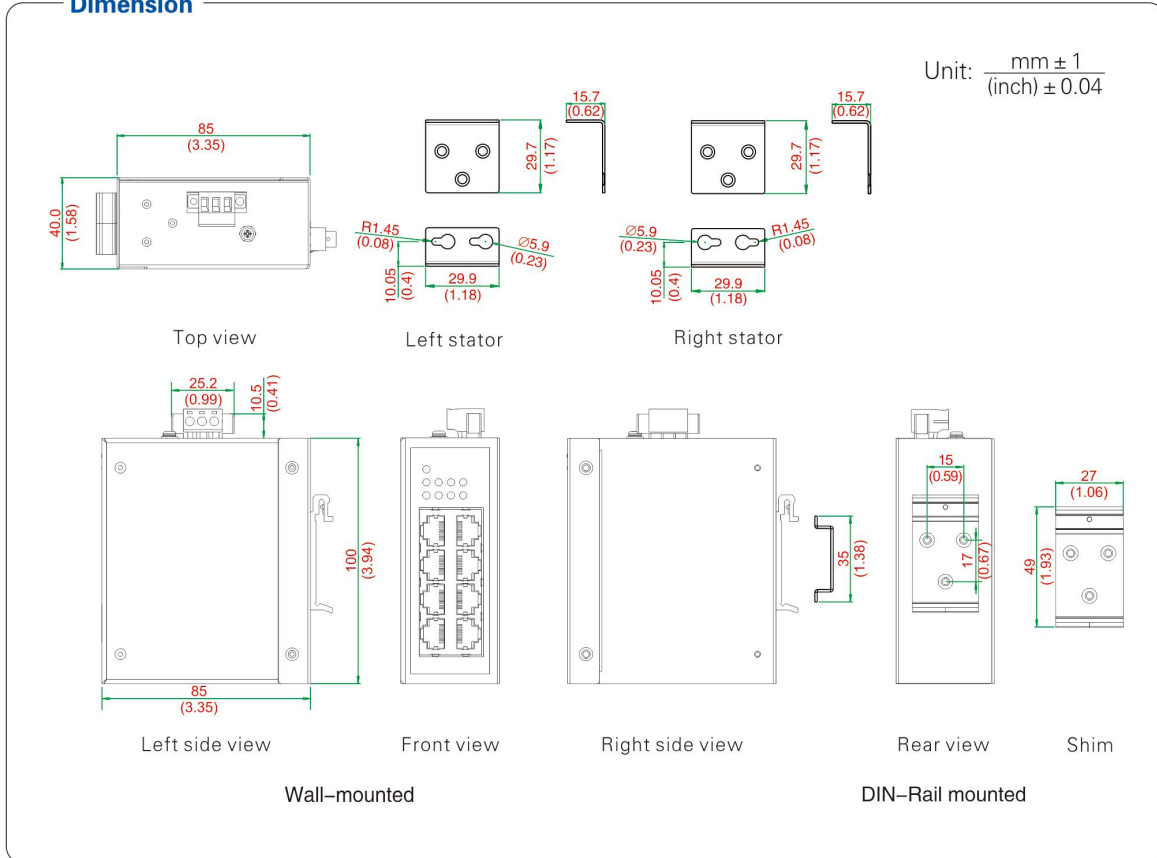
EMS:

IEC(EN)61000-4-2(ESD)

IEC(EN)61000-4-3(RS)
 IEC(EN)61000-4-4(EFT)
 IEC(EN)61000-4-5(Surge)
 IEC(EN)61000-4-6(CS)

IEC(EN)61000-4-8
 IEC 60068-2-27(Shock)
 IEC 60068-2-32(Freefall)
 IEC 60068-2-6(Vibration)

Dimension



ORDER INFORMATION

Model	Interface
	10/100 Base-T(X)
UT-6408CA	8