

UT-6405C

100M Unmanaged Ethernet Switch



UT-6405C

100M Unmanaged Ethernet Switch



UOTEK TECHNOLOGY (SHENZHEN) CO., LTD.

Add: Room1001, Building 7, Skyworth Innovation Valley, No. 8, Tangtou No.1 Road, Shiyao Old Street, Bao'an District, Shenzhen

Tel: +86-755-81202008

Fax: +86-755-27886083

Http: www.uotek.com





- Adopt high quality opt electric integration modules to provide good optical and electrical characteristics, ensure reliable data transmission and long lifecycle
- Supports full-duplex and half-duplex, auto negotiation
- Auto-10/100Mbps
- Fully automatic recognition of network interface, no need to manually operate switches
- Plug and play for easy access
- Operating temperature: -20~75°C
- Input voltage: 12/24/48VDC(10.8-52.8VDC), support reverse connection protection



OVERVIEW

UT-6405C is a 5-port 100-M unmanaged Ethernet switch that provides positive and negative AC/DC input protection to prevent burnout of the instrument. It has a compact design and supports industry standard DIN-rail mounting, so it is easy to install in any industrial network application.

SPECIFICATION

Protocol Standards

IEEE 802.3 10Base-T
IEEE 802.3u 100Base-TX

Interfaces

RJ45 ports: 5 10/100Base-TX ports, auto-detection, full/half duplex, auto MDI/MDI-X

LED indicator light

PWR power light, network indicator

Power Requirement

Input voltage: 12/24/48VDC(10.8~52.8VDC)
Interface terminal: 1 pluggable 3-pin terminal
Overload protection: Support
Reverse connection protection: Support

Consumption

Power consumption: 100mA@24Vmax

Switching Performance

Forwarding rate: 148,810pps
Transmission mode: store and forward
MAC address size: 1K
Cache size: 448Kb
Backplane bandwidth: 1.6G

Mechanical Characteristics

IP protection level: IP40
Installation: DIN-Rail Mounted

Mechanical Dimension

Dimension (W x H x D): 100mm x 80mm x 35mm
Weight: 560g

Operating Environment

Operating temperature: -20~75°C
Storage temperature: -40~85°C
Relative humidity: 0~95% (non-condensing)

Industrial Standards

EMI:

FCC Part 15 Subpart B class A EN55022 class A

EMS:

IEC(EN)61000-4-2(ESD)

IEC(EN)61000-4-3(RS)

IEC(EN)61000-4-4(EFT)

IEC(EN)61000-4-5(Surge)

IEC(EN)61000-4-6(CS)

IEC(EN)61000-4-8

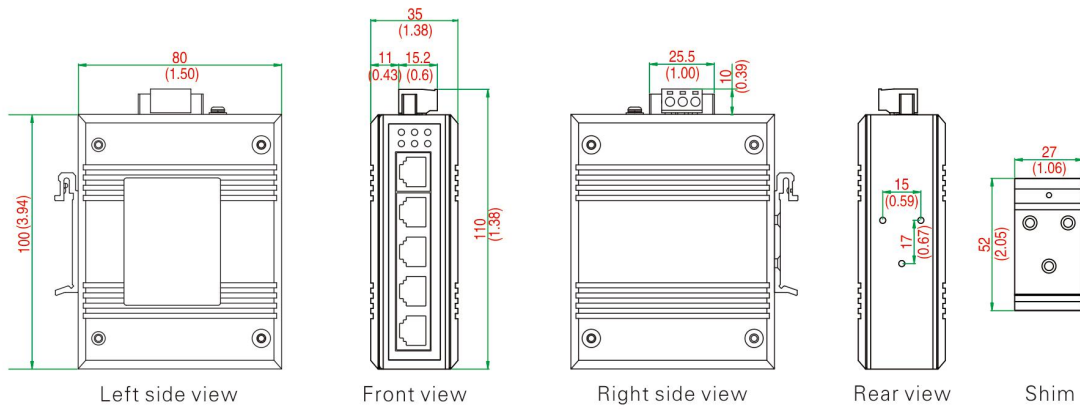
IEC 60068-2-27(Shock)

IEC 60068-2-32(Freefall)

IEC 60068-2-6(Vibration)

Dimension

Unit: $\frac{\text{mm} \pm 1}{(\text{inch}) \pm 0.04}$



ORDER INFORMATION

Model	Port
	10/100Base-T(X)
UT-6405C	5