

DIN-Rail Unmanaged Industrial Ethernet Switch



UT-6405GC

Gigabit 5-Port unmanaged Ethernet Switch



UOTEK TECHNOLOGY (SHENZHEN) CO., LTD.

Add: Room1001, Building 7, Skyworth Innovation Valley, No. 8, Tangtou No.1 Road,
Shiyan Old Street, Bao 'an District, Shenzhen

Tel: +86-755-81202008

Fax: +86-755-27886083

Http: www.uotek.com





- Reliable data transmission and long lifecycle
- Supports full-duplex and half-duplex, auto negotiation
- Auto 10/100/1000Mbps
- Fully automatic recognition of network interface
- Plug and play for easy access
- Operating temperature: -20 ~ 70°C
- Voltage input: 12/24/48VDC (10.8~52.8VDC), support reverse connection protection



OVERVIEW

UT-6405GC is a 5-port full Gigabit unmanaged Ethernet switch, providing 5 1000Base-T Ethernet port, which supports -20~70°C operating temperature and good EMC performance, and also supports industrial standard DIN-rail mounting to ensure normal operation in harsh environments, so it is very easy to install and apply on any industrial network.

SPECIFICATION

Protocol Standards

IEEE 802.3 10Base-T, IEEE 802.3u 100Base-TX,
IEEE 802.3ab 1000Base-T, IEEE 802.3x

Interfaces

Gigabit Ethernet: 5*Gigabit RJ45, support 10/100/1000Base-T

Switching Performance

Forwarding rate: 1,488,095pps
Transmission mode: store and forward
MAC address size: 2K
Cache size: 1Mb
Backplane bandwidth: 10G
Max. frame length: 16KB

LED indicator light

PWR power indicator, RJ-45 indicator

Mechanical Characteristics

IP protection level: IP40
Installation: DIN-Rail Mounted

Power Requirement

Voltage input: 12/24/48VDC(10.8~52.8VDC)
Interface terminal: 1 pluggable 3-pin terminal block
Overload protection: Support
Reverse connection protection: Support

Power consumption

120mA@24Vmax

Mechanical Dimension

Dimension (W x H x D): 100mm x 80mm x 35mm
Weight: 560g
Packaging dimension: 180mm x 140mm x 35mm

Operating Environment

Operating temperature: -20 ~ 70°C
Storage temperature: -40 ~ 85°C
Relative humidity: 0~95% (non-condensing)

Industrial Standards

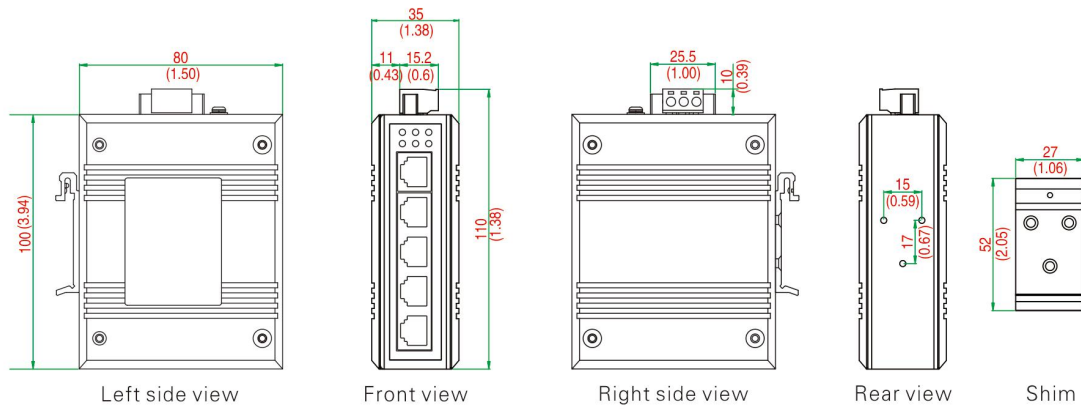
EMI:
FCC Part 15 Subpart B classA, EN55022 class A
EMS:
IEC(EN)61000-4-2(ESD)

IEC(EN)61000-4-3(RS)
 IEC(EN)61000-4-4(EFT)
 IEC(EN)61000-4-5(Surge)
 IEC(EN)61000-4-6(CS)

IEC(EN)61000-4-8
 IEC 60068-2-27(Shock)
 IEC 60068-2-32(Freefall)
 IEC 60068-2-6(Vibration)

Dimension

Unit: $\frac{\text{mm} \pm 1}{(\text{inch}) \pm 0.04}$



ORDER INFORMATION

Model	Interface
	10/100/1000Base-T
UT-6405GC	5