

# 100M Network Fiber Optic Transceiver



## UT-2602

2-Port 100M Network Fiber Optic Transceiver



### UOTEK TECHNOLOGY (SHENZHEN) CO., LTD.

Add: Floor 8-10, Building 7, Skyworth Innovation Valley, No. 8, Tangtou No.1 Road, Shiyao Old Street, Bao'an District, Shenzhen

Tel: +86-755-81202008

Fax: +86-755-27886083

Http: [www.uotek.com](http://www.uotek.com)





- Adopt high quality optoelectronic integrated modules to provide good optical and electrical characteristics, ensure reliable data transmission and long lifecycle
- Supports full-duplex and half-duplex, auto negotiation
- Auto-10/100Mbps
- Fully automatic recognition of network interface
- Plug and play for easy access
- Operating temperature: -40 ~ 85℃
- Input voltage:12/24/48VDC(10.8~52.8VDC), supports reverse polarity protection
- Support various fiber optic interfaces(SC/ST/FC/SFP)



## OVERVIEW

UT-2602 series is a 100 M network fiber optic transceiver, providing two 10/100Base-TX Ethernet ports and one 100Base-FX optical port; it is used for Ethernet port and optical cable data communication, it is suitable for the scenarios of intelligent community or FTTH(fiber to the home).The series of products support -40 ~ 85 ℃ operating temperature and good EMC performance to ensure normal operation in harsh environments, the series will greatly extend the distance of network transmission, can easily achieve the interconnection between the main board server, repeater, hub, terminal and terminal, for video surveillance, finance, education and other industries to form a network to provide cost-effective, safe and reliable solutions.

## SPECIFICATION

### Protocol Standards

IEEE 802.3 10Base-T, IEEE 802.3u 100Base-TX & 100Base-FX,  
IEEE802.3x

### Interfaces

Fiber interfaces: 1\*100Base-FX (SC/FC/ST)  
RJ45 interface: 2\*10/100Base-TX, auto detection, full/half-duplex,  
auto MDI/MDI-X

### Switching Performance

Forwarding Rate: 148810pps  
Transmission mode: Store and Forward  
MAC address size: 1K  
Cache size: 0.5Mb  
Backplane bandwidth: 1.2G

### Mechanical Dimension

Dimension (W x H x D): 100mm x 80mm x 35mm  
Packaging dimension: 180mm x 140mm x 45mm

### Mechanical Characteristics

IP protection level: IP40  
Installation: DIN-Rail Mounted

### LED indicator light: PWR, FDX, RJ network,

Index parameter	100Base-FX			
	Multi-	Singal-mode		
Dual fiber transmitting and	1310	1310	1310	1550
Send signal fiber (T type)	Send the	1310	1310	1490
	Receive the	1550	1550	1550
Receive signal fiber (R type)	Send the	1550	1550	1550
	Receive the	1310	1310	1490
Transmission distance Km	2	20	40	80
Transmit power dBm	-15~-8	-15~-8	-5~0	-5~0
Receive sensitivity dBm(≤)	-32	-34	-34	-34
Optical saturation dBm	-3	-3	-3	-3
Optical loss dBm/Km	0.5	0.5	0.3	0.25
Electrical port data transmission	10/100Mbps			

For example: UT-2602RSM-SC-40, "R" is receiving single fiber, "SM" is single mode,

"SC" fiber interface type is SC head, "40" transmission km for 40km

Fiber core diameter:

Multi-mode: 50/125, 62.5/125,

Single-mode: 8.3/125, 9/125, 10/125.

**Power Requirement**

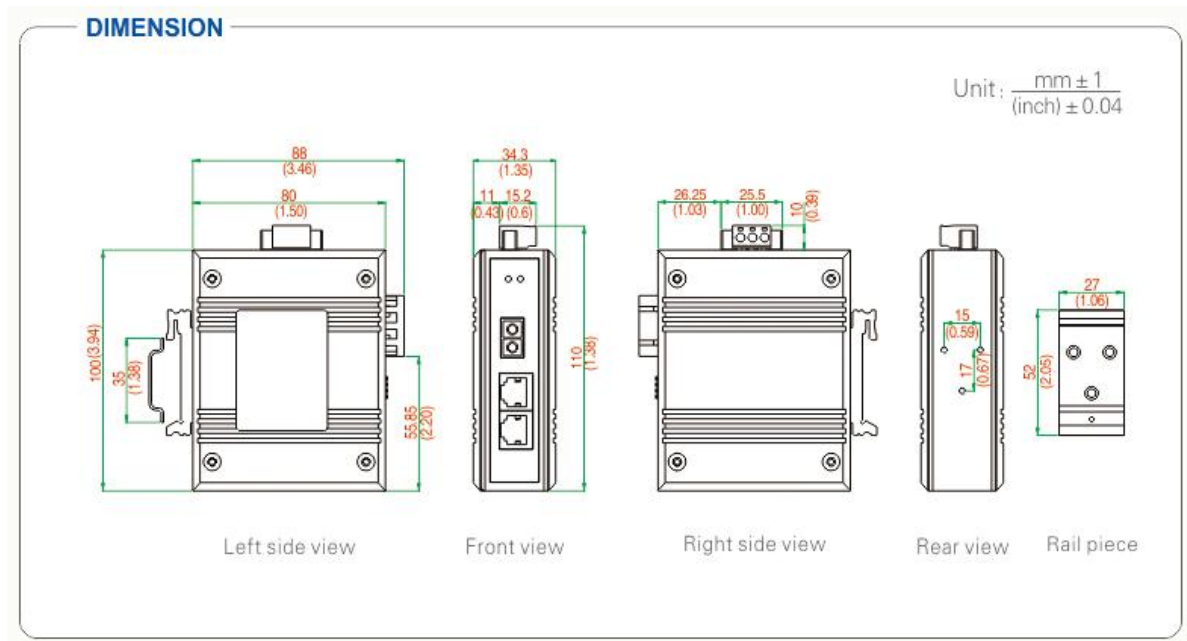
Voltage input: 12/24/48VDC(10.8~52.8VDC)  
 Power consumption: 100mA@24Vmax  
 Terminal block: One pluggable 3-pin terminal block  
 Overload protection: Support  
 Reversal protection: Support

**Operating Environment**

Operating temperature: -40 ~ 85°C  
 Storage temperature: -40 ~ 85°C  
 Relative humidity: 0 ~ 95%

**Industrial Standards**

EMI:  
 FCC Part 15 Subpart B class A, EN55022 class A  
 EMS:  
 IEC(EN)61000-4-2(ESD)  
 IEC(EN)61000-4-3(RS)  
 IEC(EN)61000-4-4(EFT)  
 IEC(EN)61000-4-5(Surge)  
 IEC(EN)61000-4-6(CS)  
 IEC(EN)61000-4-8  
 IEC 60068-2-27(Shock)



**ORDERING**

Model	Interface		Optical port description
	10/100Base-TX	100Base-FX	
UT-2602SM-SC	2	1	Single-mode dual-fiber SC
UT-2602SM-ST	2	1	Single-mode dual-fiber ST
UT-2602SM-FC	2	1	Single-mode dual-fiber FC
UT-2602MM-SC	2	1	Multi-mode dual-Fiber SC
UT-2602MM-ST	2	1	Multi-mode dual-Fiber ST
UT-2602MM-FC	2	1	Multi-mode dual-Fiber FC
UT-2602P	2	1	SFP

**Remarks:**

- Single-mode dual-fiber SC port is a standard configuration for products above mentioned, with optional ST/FC
- The suffix "F" in "MNF" means 12/24/48VDC (10.8~52.8VDC) power input;  
 The suffix "D" in "MND" means 110/220VAC/DC (88~264VAC/DC) dual power input