

Model: UT-6001 Series

10/100M to RS-232/485/422 Serial Device Server

Datasheet



UTEK TECHNOLOGY (SHENZHEN) CO., LTD.

Add: Floor 8-10, Building 7, Skyworth Innovation Valley, No. 8, Tangtou No.1 Road, Shiyan Street, Shiyan Old Street, Bao 'an District, Shenzhen

Tel: +86-755-81202008

Fax: +86-755-27886083

Http: www.uotek.com

1. Overview

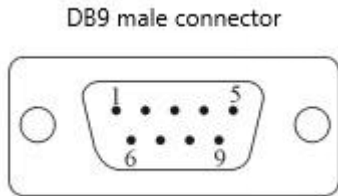
UT-6001 series serial device server provides serial port to Ethernet port function. It converts RS-232/485/422 port to TCP/IP port, allows bidirectional data transmission between RS-232/485/422 & TCP/IP. This makes the serial device support TCP/IP function. It supports IEEE 802.3AF standard, the POE function greatly extend the communication of serial devices.

2. Major Functions & Features

- Processor: 150MHz
- Storage: Data cache space \geq 60KB per port
- Network port: RJ45 interface 10/100M (embedded 2KV electromagnetic isolation, surge 10/700us common mode: 2000V/differential mode 1000V) Adaptive MDI/MDI-X
- POE standard: Support IEEE802.3AF standard
- Network protocols: IP, ICMP, UDP, TCP, HTTP, TELNET, DNS, DHCP
- System support: Windows /XP/2003/win7/win8/win10 32/64bit
- Operation modes: VCOM, TCP SERVER, TCP CLIENT, UDP, Serial Telnet Mode , Remote Pair mode, RFC 2217, Modbus TCP server, Modbus TCP client
- Number of hosts: 4 hosts can be connected simultaneously
- Configuration method: Web browser, VCOM Utility, Telnet
- Number of serial ports: 1, DB9 connector and 3.81-4PIN terminal
- Serial port protection: RS-232/485/422 surge 10/700us common mode/differential mode 0.5KV
- Baud rate: 300-921600bps
- Check bits: None, Odd, Even, Mark, Space
- Data bits: 7, 8
- Stop bits: 1, 1.5, 2
- Flow Control: RTS/CTS, XON/XOFF
- Supply voltage: 5V (4.75~5.25V), 12-36VDC, 12-60VDC, POE power supply optional, surge 1.2/50us common mode:2000V/differential mode 1000V
- ESD protection: 6KV for whole machine contact, 8KV for air
- Operating current: 350mA@12V max
- Power connector: 5.08mm 3Pin terminal block and DC socket
- Operating temperature: -40 ~ +85°C
- Storage temperature: -40 ~ +85°C
- Relative Humidity: 5% ~ 95%RH, Non-condensation

3. Pin definitions

1. UT-6001 RS-232 Pin Definitions:



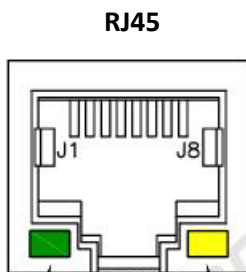
DB9 Male	RS-232
1	N/C
2	RXD
3	TXD
4	N/C
5	GND
6	N/C
7	RTS
8	CTS

2. UT-6001Serial Server RS-485/422 Pin Definitions:



3.81Terminals	RS-485	RS-422	Description
1	T/R+	TX+	Sending/Receiving+
2	T/R-	TX-	Sending/Receiving-
3		RX+	Receiving+
4		RX-	Receiving-

3. UT-6001Serial Server RJ45 Network Port Pin Definition:



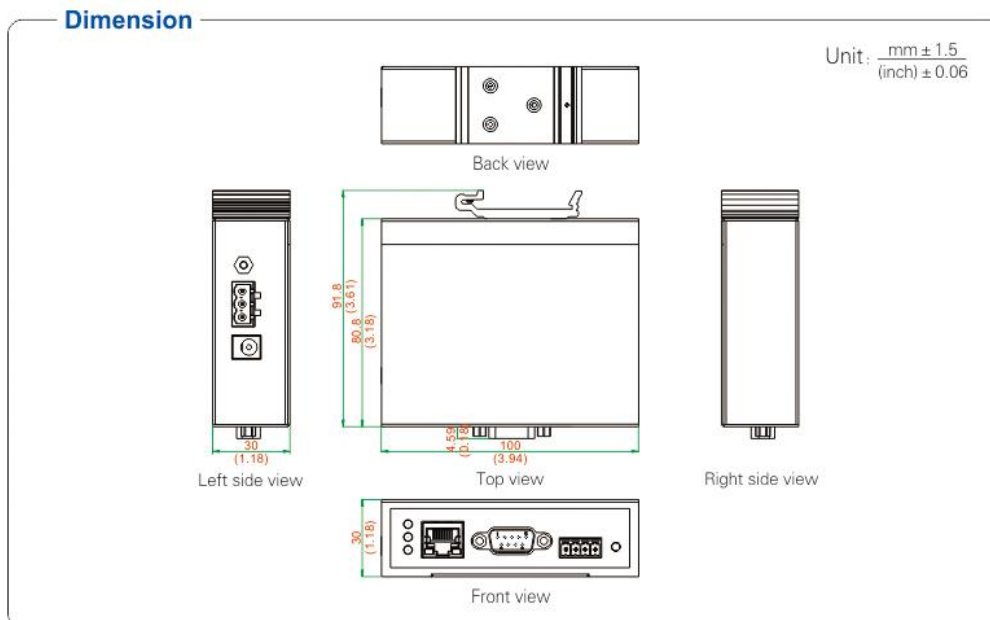
Green light for link
Yellow light for ACT

RJ45	EIA/TIA 568B	Definiton	Description	EIA/TIA 568B
1	Orange&White	TX+	Sending+	TX+
2	Orange	TX-	Sending-	TX-
3	Green & White	RX+	Receiving+	RX+
4	Blue	Data+	Bidirectional data+	Data+
5	Blue & White	Data-	Bidirectional data-	Data-
6	Green	RX-	Receiving+	RX-
7	Brown & white	Data+	Bidirectional data+	Data+
8	Brown	Data-	Bidirectional data-	Data-

4. Appearance



5. Structure Dimensions



- Physical dimensions: Length $100 \pm 0.5\text{mm}$, Width $80.8 \pm 0.5\text{mm}$, Height $30\text{mm} \pm 0.5\text{mm}$

Ordering

Model	Signal/Port		Port qty		Protection			Baudrate	Environment		Power	
	TCP/IP	RS-232/485/422	TCP/IP	RS-232/485/422	Power	TCP/IP	RS-232/485/422		Temperature	Humidity		
UT-6001	RJ45	DB9/3.81PIN terminal block	1	1	2KV	2KV	Common/differential mode 0.5KV	300-921.6Kbps	-40/85°C	5-95%	DC12-36V	
UT-6001-5V	RJ45		1	1	2KV	2KV		300-921.6Kbps	-40/85°C	5-95%	DC5V	
UT-6001-PD	RJ45		1	1	2KV	2KV		300-921.6Kbps	-40/85°C	5-95%	DC12-36V	POE/AF
UT-6001-48V	RJ45		1	1	2KV	2KV		300-921.6Kbps	-40/85°C	5-95%	DC12-60V	

Accessories: Power adapter/DIN-Rail