

## Model: UT-8102

(Product Name: USB to 2 Ports RS-232 Converter with Isolation)

# Datasheet



### UTEK TECHNOLOGY (SHENZHEN) CO., LTD.

Add: Floor 10, Building 7, Skyworth Innovation Valley, No. 8, Tangtou No.1 Road,  
Shiyan Old Street, Bao'an District, Shenzhen

Tel: +86-755-81202008

Fax: +86-755-27886083

Http: [www.uotek.com](http://www.uotek.com)

## 1. Overview

As the development of PC, USB port starts to replace most of the low speed external ports from old PC. In industrial field, most of the devices or equipment are still using RS-232 interface. In this situation, we need to use USB to RS-232 converter to complete the data transmission between PC and RS-232 equipment.

UT-8102 is a universal USB to 2 RS-232 ports converter without external power. It complies with USB, RS-232 standards; it converts single side USB signal to RS-232. This converter is with built-in zero delay auto receiving and transmitting conversion, and unique I/O circuit auto control data flow direction, plug & play. It is compatible with current communication software and hardware.

UT-8102 converter provides connection for point to point communication. The baud rate can be 300-115,200bps. The power and data flow indicators indicate the working status.

## 2. Major Functions & Features

- Supports USB to 2 ports RS-232 converter with isolation.

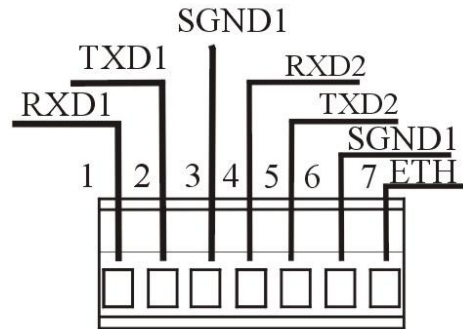
## 3. Technical Parameters

- Standards: USBV1.1, 1.0, 2.0 EIA S-232
- USB signal: VCC, DATA-, DATA+, GND, FG
- RS-232 signal: RXD TXD GND
- Working mode: Asynchronous, point-to-point
- Direction control: Adopting automatic data flow control technology to automatically identify and control the direction of data transmission
- Baud rate:300bps~460.8kbps, automatic detection of serial signal rate
- Load capacity: supports point-to-point communication method
- Transmission distance: Less than 5m for USB port, 5m for RS-232 port
- Lightning protection: RS-232 port 8/20us 3000A
- Connector: USB-B female, 5.08 terminal block
- Signal indicators: two signal indicators Port1, Port2, one power indicators(POWER)
- Transmission media: twisted-pair or shielded cable
- Operating temperature: -40°C to 85°C; Relative humidity: 5% to 95 %
- Supports Windows 98, 98SE, ME, 2000, Server 2003, XP. Windows 7 , Windows 7 x64  
Windows Vista, Windows XP 64-bit., Windows XP Embedded., Windows CE.NET 4.2 & 5.0, MAC OS  
8 / 9, OS-X, Linux 2.4 and greater

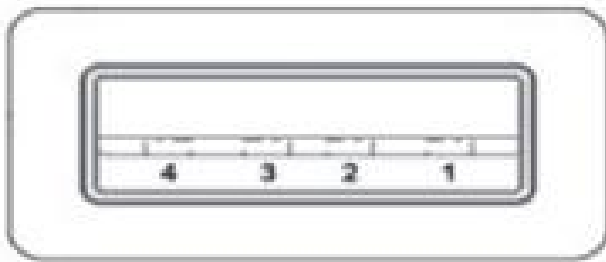
## 4. Interface Definiton

RS-232C Pin assignment

7-position blocks	RS-232C Interface signal
1	SIN(RXD1)
2	SOUT(TXD1)
3	SGND1
4	SIN(RXD2)
5	SOUT(TXD2)
6	SGND2
7	GND



**USB-A:** The picture of USB signal input and pin assignment

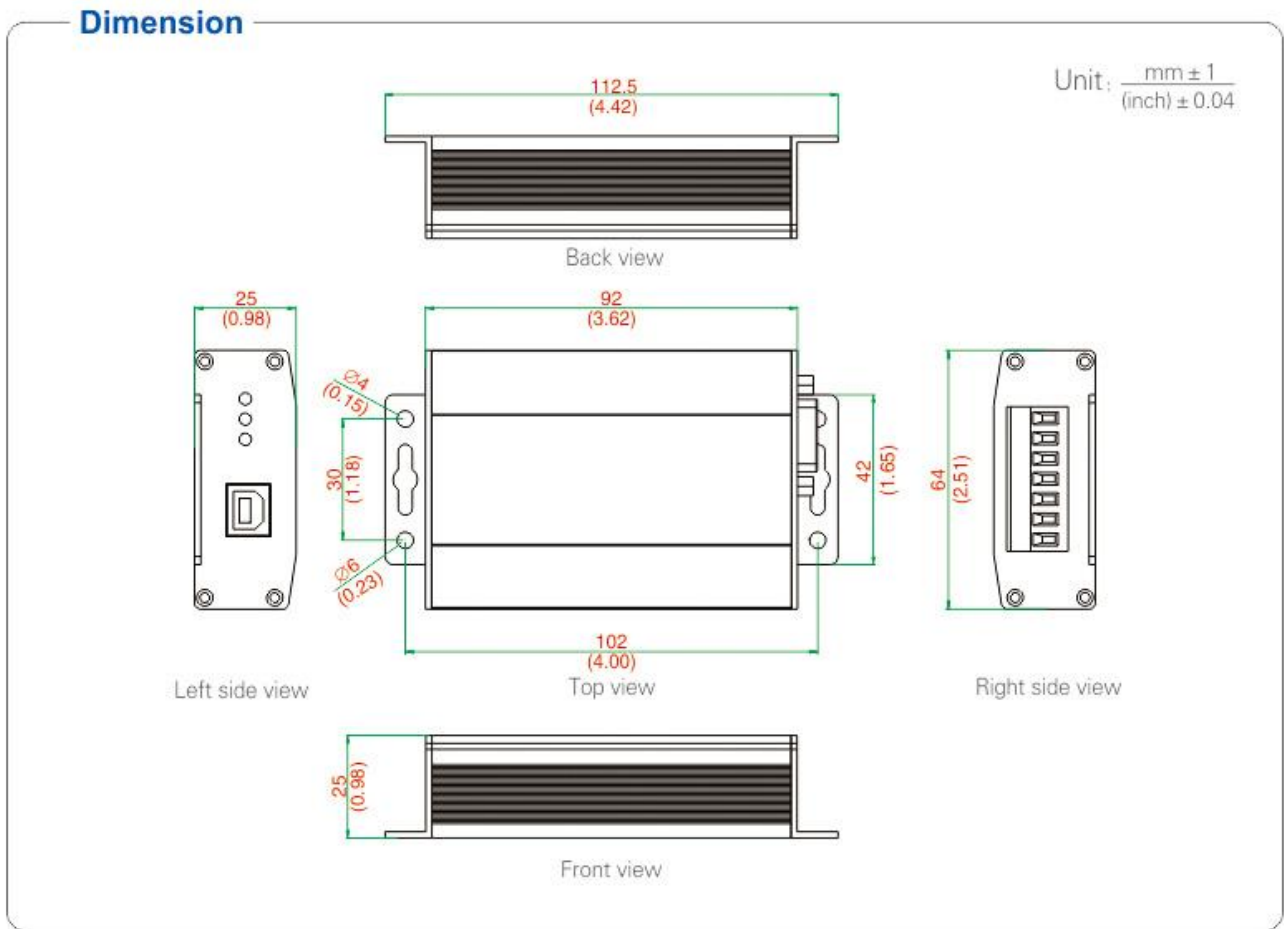


1. VCC
2. DATA-(DM)
3. DATA+(DP)
4. GND

## 5. Product View (Appearance)



## 6. Structure dimensions



## 7. Ordering

Ordering											
Model	Signal/Port			Protection		Baudrate	Environment			Power	
	USB	RS-232	RS-485/422	RS-232	RS-485/422		Temperature		Humidity	Port-Powered	External Power
	USB-B						-25/70°C	-40/85°C			
UT-8102	✓		Terminal block	3KA Lightning		300bps-115.2kbps		✓	✓	✓	

Accessories: USB cable